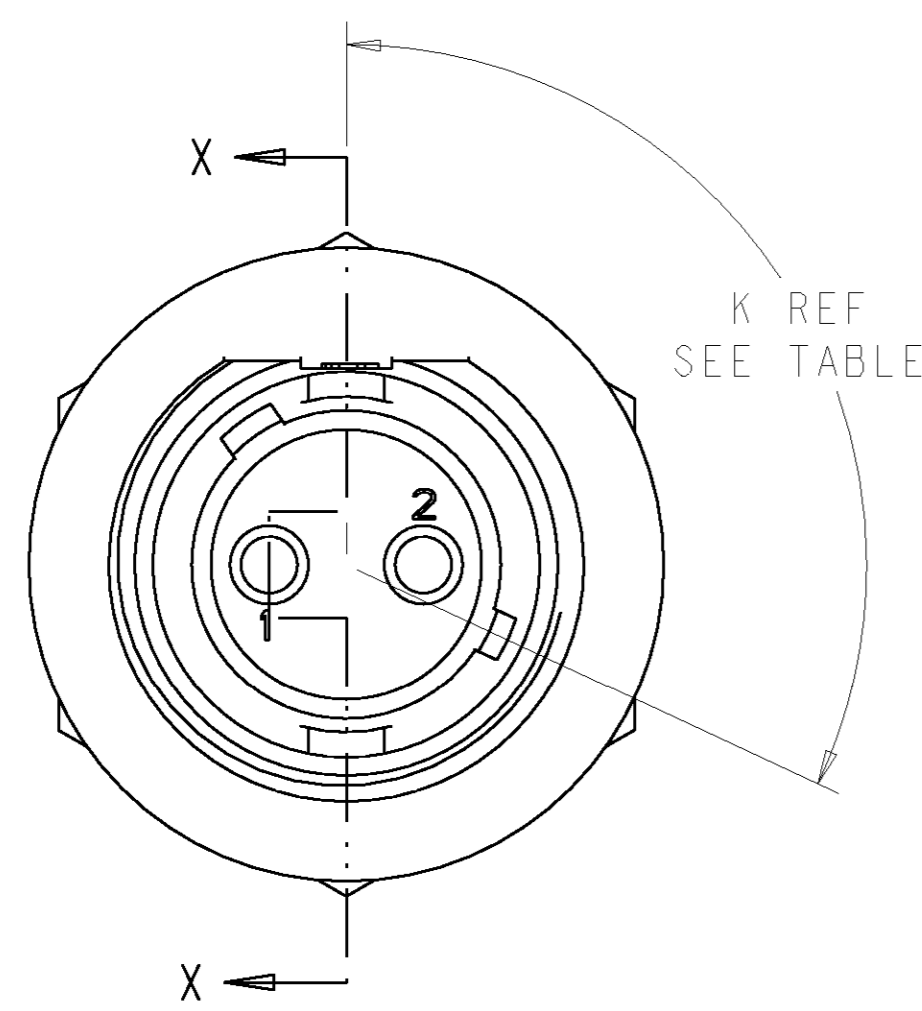
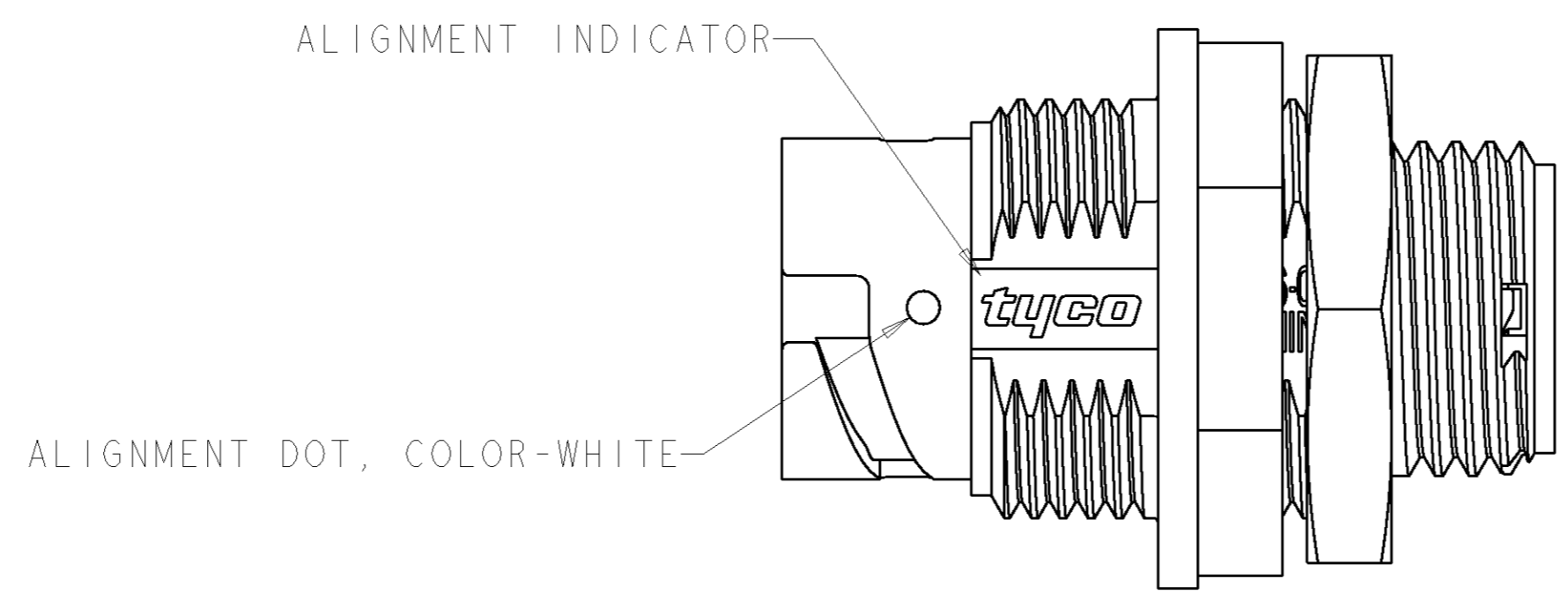
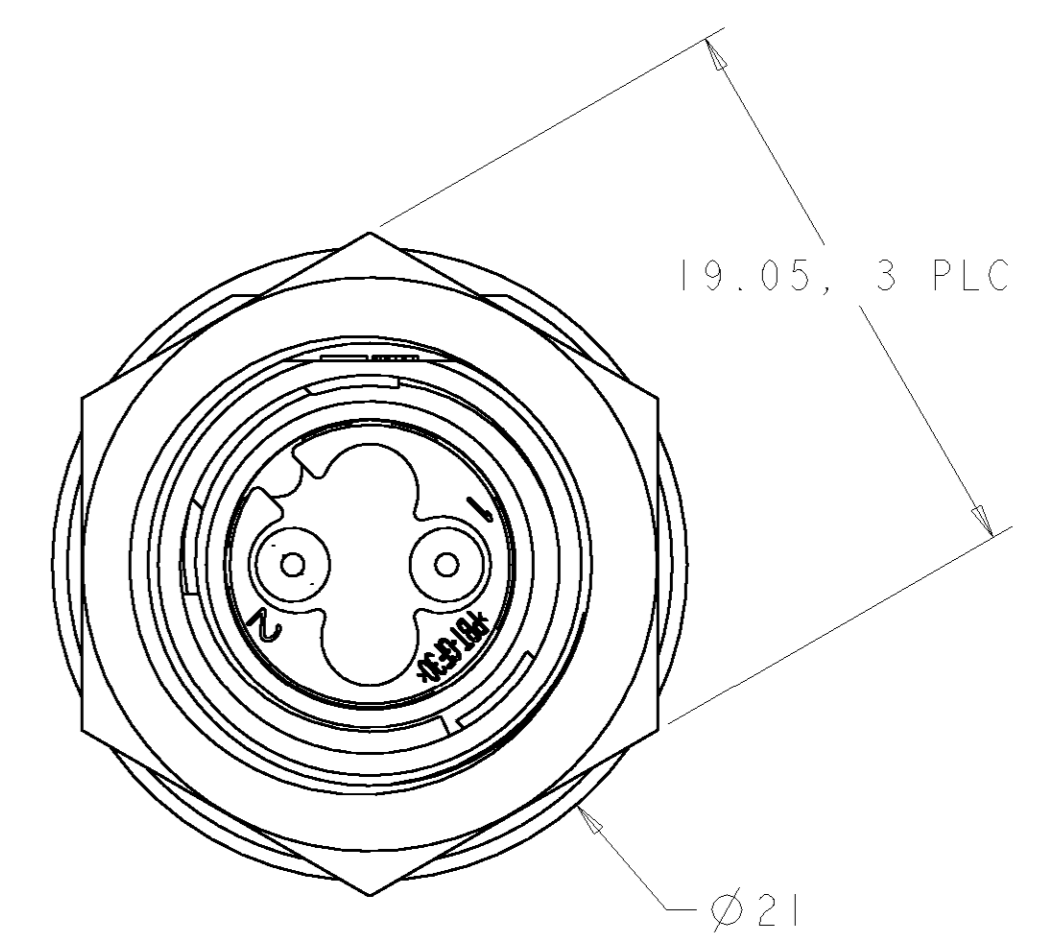
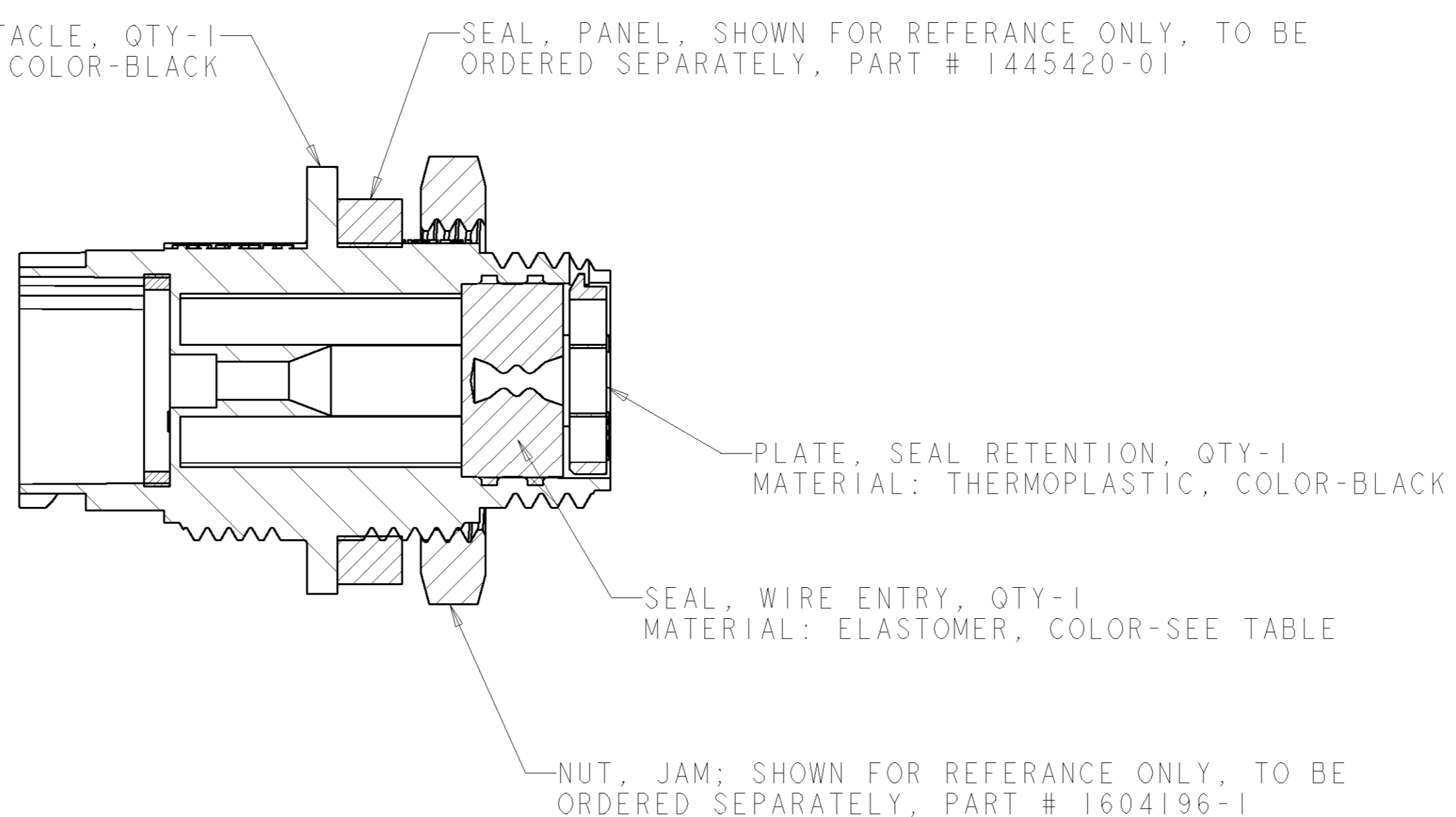


LOC	DIST	REVISIONS					
FT	0	P	LTR	DESCRIPTION	DATE	DWN	APVD
		A		RELEASED EC 0638-0326-03	13JUN2003	SW	HW
		B		REVISED EC 0638-0390-04	24MAY2004	SW	HW



HOUSING, RECEPTACLE, QTY-1
 MATERIAL: THERMOPLASTIC, COLOR-BLACK

SEAL, PANEL, SHOWN FOR REFERENCE ONLY, TO BE ORDERED SEPARATELY, PART # 1445420-01



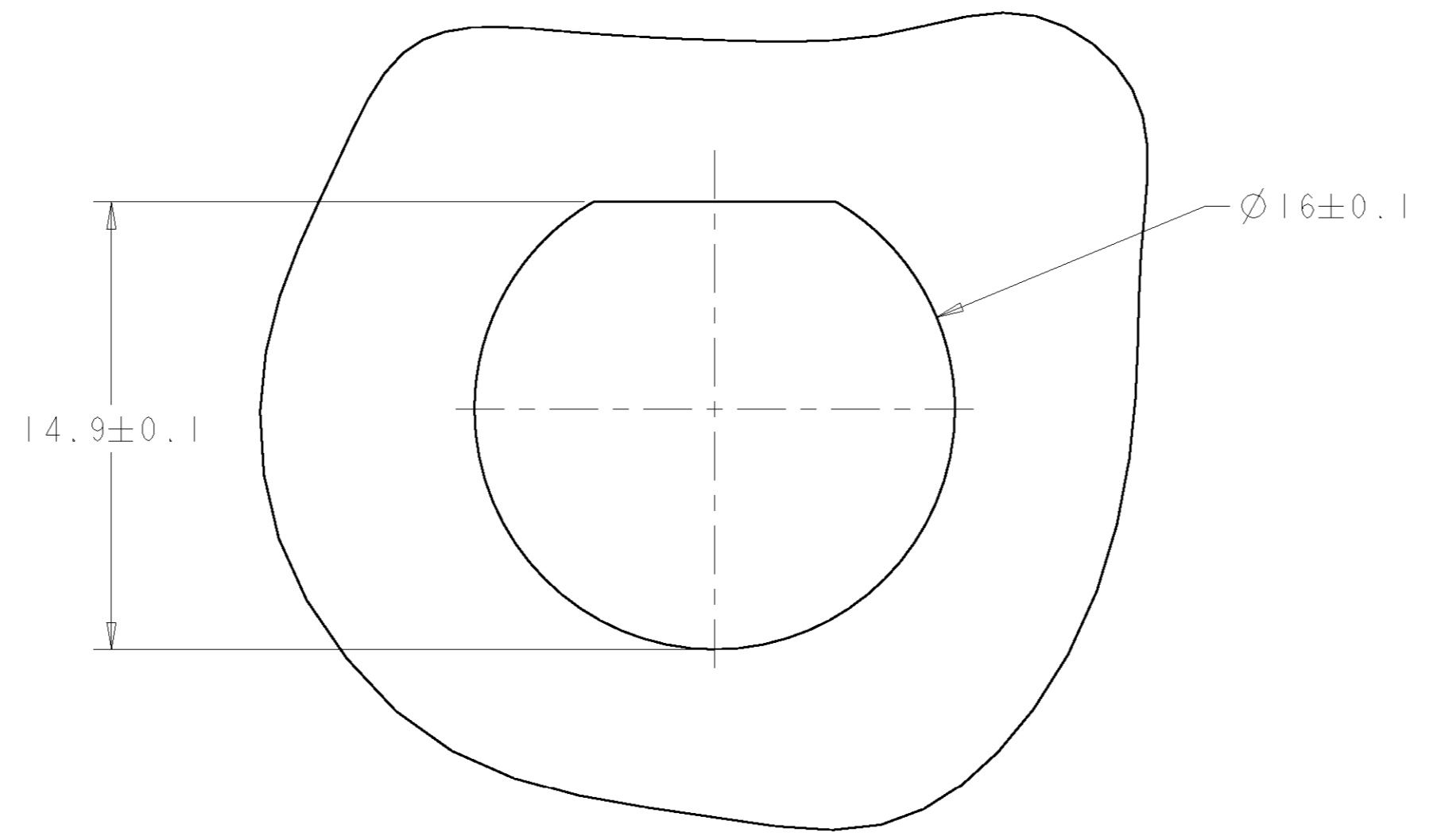
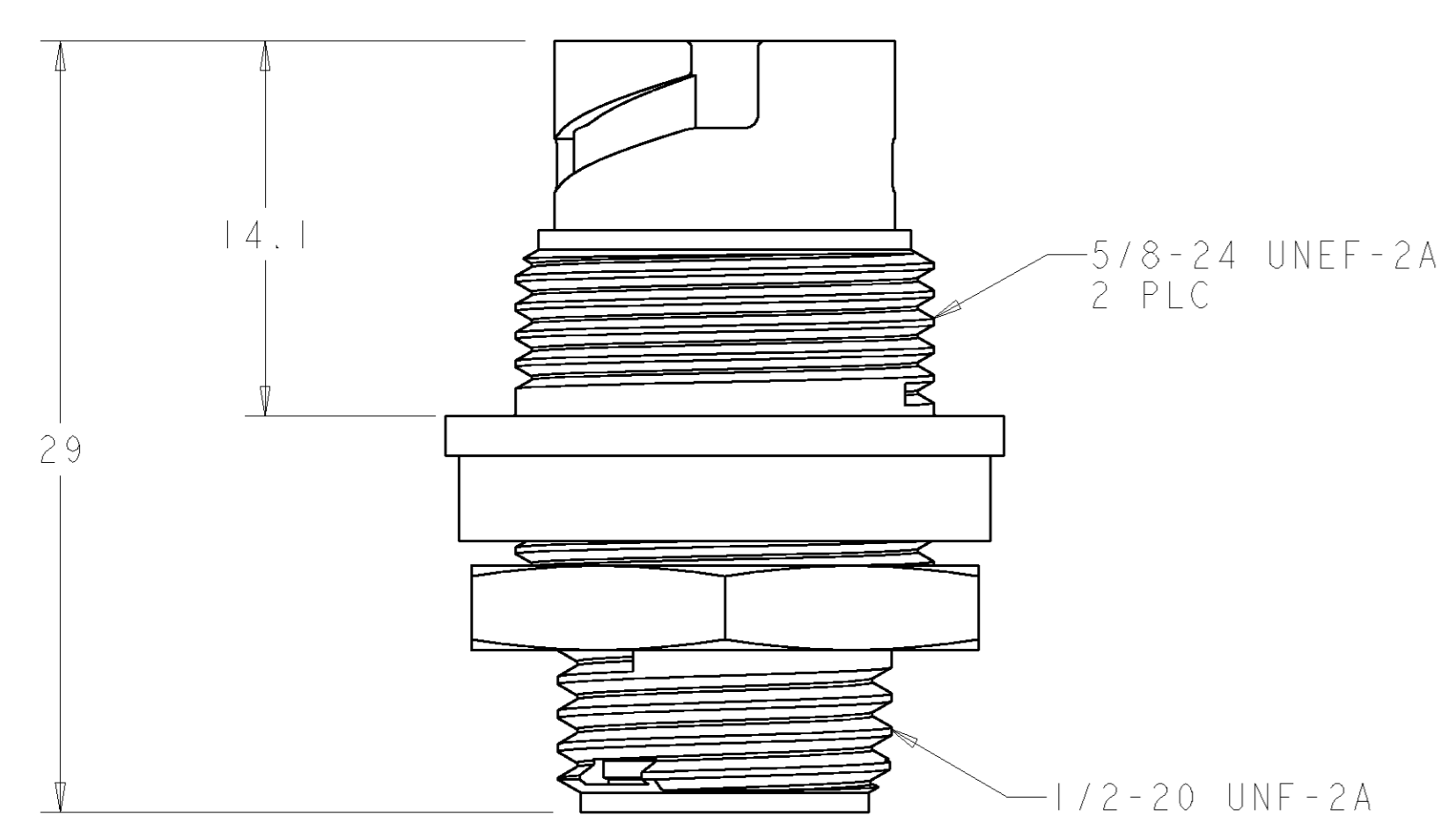
PLATE, SEAL RETENTION, QTY-1
 MATERIAL: THERMOPLASTIC, COLOR-BLACK

SEAL, WIRE ENTRY, QTY-1
 MATERIAL: ELASTOMER, COLOR-SEE TABLE

NUT, JAM; SHOWN FOR REFERENCE ONLY, TO BE ORDERED SEPARATELY, PART # 1604196-1

SECTION X-X

1. CONNECTOR CAN BE FRONT OR REAR PANEL MOUNTED.
 △ MAX PANEL THICKNESS-3.18



SUGGESTED PANEL CUTOUT △

QUALIFICATION TEST PENDING

YELLOW	Ø0.75	130°	1445538-04
NATURAL	Ø1.5	115°	1445538-03
NATURAL	Ø1.5	130°	1445538-02
YELLOW	Ø0.75	115°	1445538-01
SEAL, WIRE ENTRY COLOR	ØX REF	K REF	PART NUMBER

<small>THIS DRAWING IS UNPUBLISHED. RELEASED FOR PUBLICATION BY TYCO ELECTRONICS CORPORATION. ALL RIGHTS RESERVED.</small>		DWN: S. WIEST 08MAY2001 CHK: G. DOUZY 08MAY2001 APVD: H. WAKEEM 13JUN2003	Tyco Electronics Harrisburg, PA 17105-3608
DIMENSIONS: mm TOLERANCES UNLESS OTHERWISE SPECIFIED: 0 PLC ±0.5 1 PLC ±0.13 2 PLC ±0.13 3 PLC ±0.013 4 PLC ±0.001 ANGLES ±0.001		NAME: ASSEMBLY, RECEPTACLE, SIZE 8, 2 POSITION, PANEL MOUNT MINI CPC PRODUCT SPEC: - APPLICATION SPEC: - FINISH: - WEIGHT: - CUSTOMER DRAWING: -	SIZE: A1 CAGE CODE: 00779 DRAWING NO: 1445538 SCALE: 4:1 SHEET: 1 OF 1 REV: B